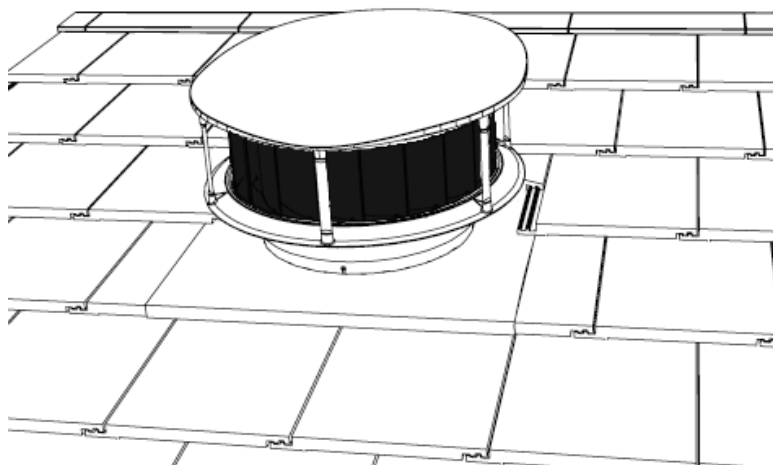


Odyssey®

Installation Manual

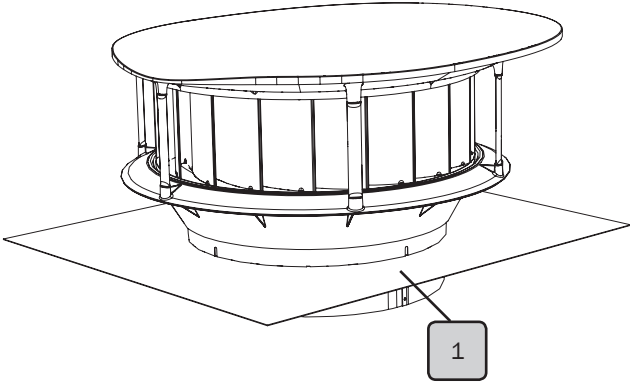


Item Checklist & Additional Tools Required For Installation

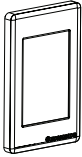
Included Parts:		Qty:
1	Ventilator	1
2	Valve/Controller/Ducting	1
3	Grille	1
4	LCD User Interface Panel	1
5	LCD Panel Cable	1
6	Temperature Sensors	2
7	Temperature Sensor Cables	2
8	Mains Power Cable	1
9	Duct tape Roll	1
10	8G x 12mm Tek Screws	2
11	8G x 25mm CSK Screws	6
12	Installation Manual	1
13	Operations Manual	1
14	Warranty Document	1

Additional Parts & Tools Required (Not Supplied)

Soft Rubber Hammer
Roof Sealant & Caulking Gun
Cable Ties
Cordless Drill & Screwdriver
Marker Pen
Knife (Sarked Roofs Only)
10G Tek Screws or Sealed Rivets (Metal Roof Only)
Nibbler or Similar Cutting Tool (Metal Roof Only)
Plasterboard Saw
Timber Saw
Phillips #2 Hand Screwdriver
25mm Hole Saw



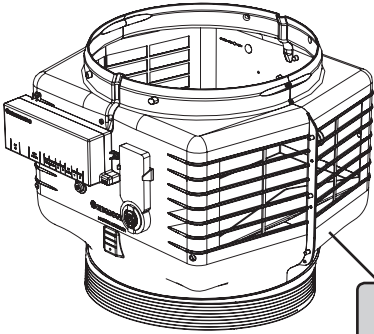
1



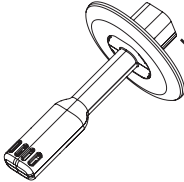
4



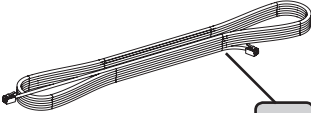
5



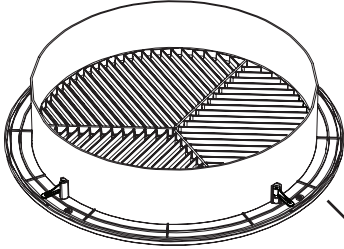
2



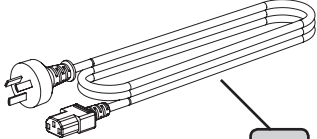
6



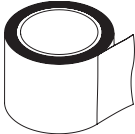
7



3



8



9

Warnings and Important Notices

WARNING: Do not proceed with the installation until you have read the entire instructions, including these warnings.

INSTALL AT YOUR OWN RISK

The installation of this product may be dangerous and includes the potential of death, personal injury or property damage. Please be aware of the following before installing this product.

- Follow any state or territory regulator OH&S guidelines for working at height (e.g. Roof work), electrical, working in elevated temperatures (e.g. ceiling space in summer).
- Installation requires climbing and working at heights. Use caution to minimise risks by:
 - Clearing the area below the workspace
 - Not walking on surfaces that are slippery, wet or dusty
 - Using appropriate equipment (tie off ladders etc.)
- DO NOT attempt to install if you are uncomfortable with working at heights or on sloping roof surfaces
- There are sharp edges on the flashing, cut tiles, roof sheeting etc. Take care and wear personal protective equipment when handling and installing products
- Be aware that the Odyssey once connected to mains power may start at any time. Do not connect the unit to mains power until the installation is complete.
- DO NOT attempt to put anything into the running turbine or valve as this may cause personal injury and/or damage to the unit.
- Be aware of electrical conductors in the roof. If there is any sign of risk isolate the power before entering the roof space. Be aware that there can be non-isolated electrical conductors such as mains supply and solar supply. Note if these are in the roof space and avoid.

Warnings and Important Notices

- Be careful to determine that the eave into which the sensor is being installed does not contain Asbestos. If it is or you cannot determine make up, then the sensor can only be installed using asbestos handling procedures by a person trained and/or licensed to handle asbestos.

IMPORTANT NOTES

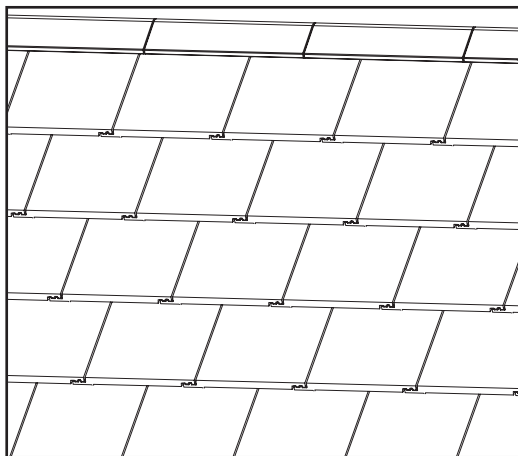
- Please ensure that Odyssey is switched OFF from the mains before conducting any system inspections or repairs.
- DO NOT remove any protection covers. Odyssey's electronics are not user servicable.
- The Odyssey is designed for general household ventilation only. DO NOT use to exhaust hazardous or explosive materials and vapours.
- DO NOT use in areas contaminated with oil vapour from cooking or other oils. Oil vapour may cause crack damage, electrical failure or fire.
- The Odyssey has an unguarded turbine assembly. DO NOT use in locations readily accessible to people or animals.
- Only use the provided Controller and Cables, do not attempt to connect the Ventilator, Valve, Sensor and LCD Display to any other device other than what is stated in this manual. Failure to do so can damage the product.
- The Valve/Controller, Temperature Sensors and LCD User Interface are designed to be used in dry environments. Ensure that these devices are installed in an area which is dry and not exposed to water by means of rain and run off.
- Only connect one Valve, two Sensors, one LCD User Interface and one Ventilator to the Odyssey Controller. DO NOT attempt to connect any other devices.

Installation - Tiled Roof

STEP 1

Select a suitable position for the ventilator on the roof no higher than the third row of tiles down from the ridge, keeping in mind that the ceiling grille needs to be installed in the ceiling almost directly below.

It is also recommended that the ceiling grille be installed somewhere near the centre of the building, away from windows or other openings.

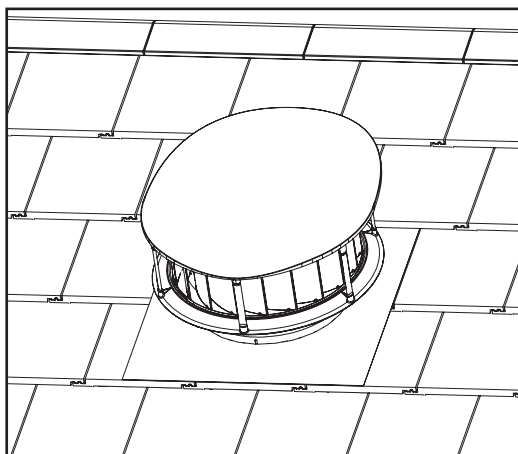


The removal of a tile higher than the third row down from the ridge may damage the ridge tile pointing and is NOT recommended.

STEP 2

Position the ventilator in the desired location to determine which tiles need to be removed or cut.

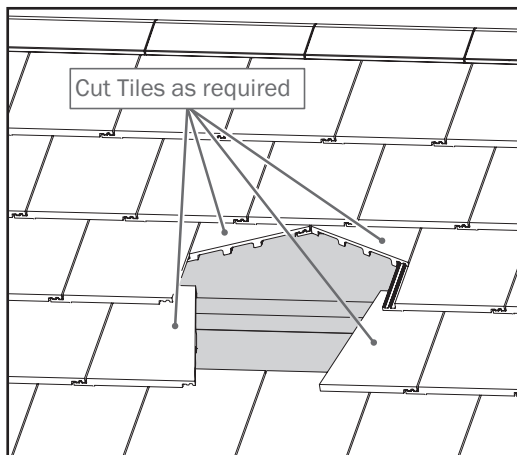
Mark out position and tiles to be removed or cut.



Installation - Tiled Roof

STEP 3

Remove any complete tiles as required and also cut parts of tiles to enable the collar to pass through the roof.

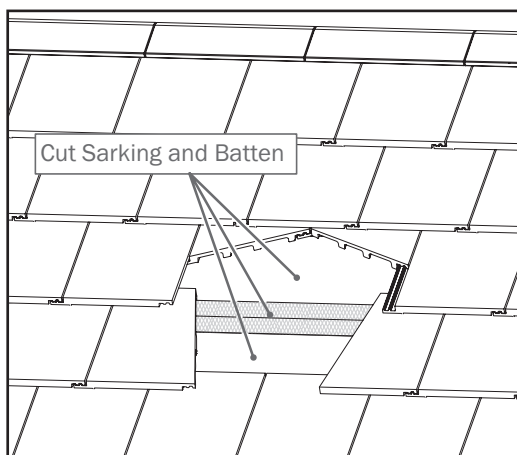


STEP 4

Cut & remove a section of tile batten to clear the ducting collar as shown.

If the roof is sarked, cut sarking in a cross and fold back to give a 410mm opening.

Tape the corners to the surrounding sarking with foil tape to prevent them fouling the ventilator.

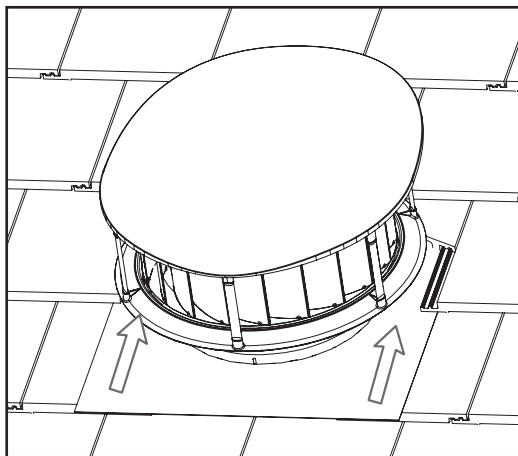


Installation - Tiled Roof

STEP 5

Fit the ventilator into place and ensure surrounding tiles are fitted securely.

Note that the longer side of the rain cowl/cover should be pointing towards the ridge of the roof.

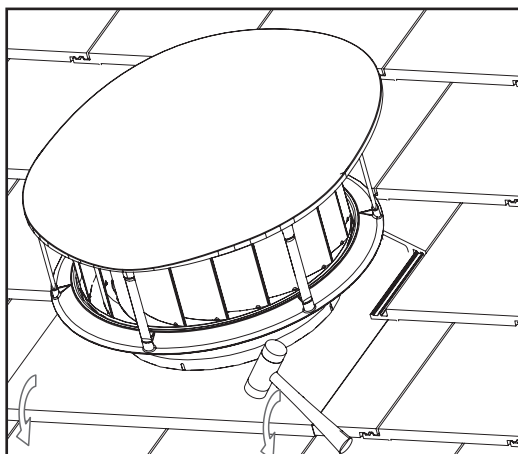


Take care to ensure the ventilator cables are passed through safely down towards the lower side and not caught on any sharp edges.

STEP 6

Fold and form the front edge of the flashing to seal against the tiles below.

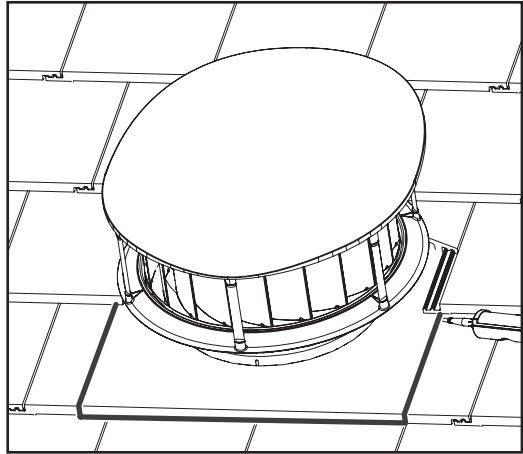
Using a soft hammer, carefully dress the front and sides of the flashing into the shape of the tiles.



Installation - Tiled Roof

STEP 7

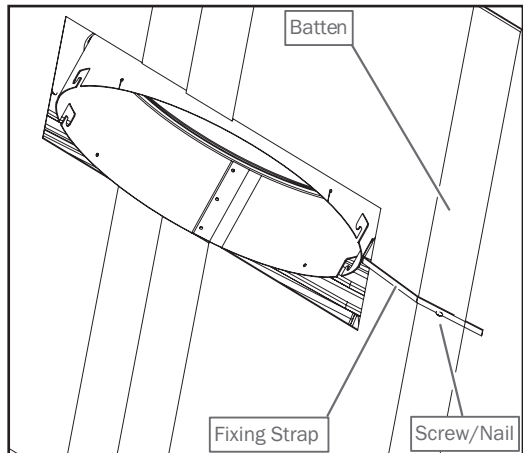
To ensure a weatherproof installation, apply a bead of silicone between the tiles and the side and front edges of the flashing.



STEP 8

From within the roof space, pull the aluminium fixing strap that is attached to the ducting collar across to the batten near the bottom side.

Screw or nail fix the strap to the batten to securely hold the ventilator down.



Turn the rear edge of the flashing upwards to seal against the tile above and to form a water gutter.

PROCEED TO STEP 16 

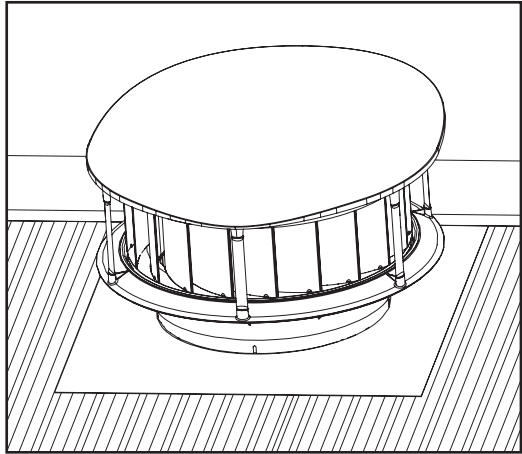
Installation - Metal Roof

STEP 9

Select a suitable position for the ventilator, keeping in mind that the ceiling grille needs to be installed in the ceiling almost directly below.

It is also recommended that the ceiling grille be installed somewhere near the centre of the building, away from windows or other openings.

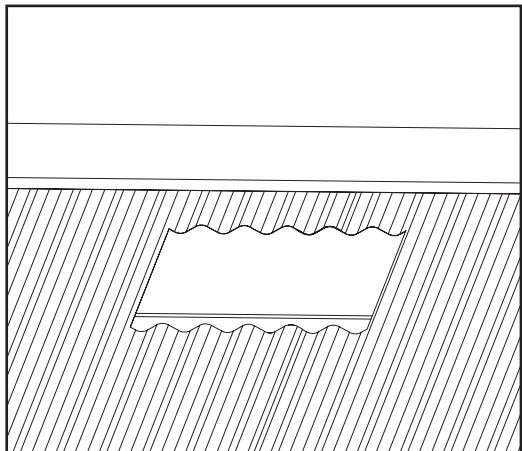
Slip the top edge of the flashing under the ridge cap and mark position.



Ensure that the flashing covers the roof corrugations or ribs equally and that it is located between roof rafters.

STEP 10

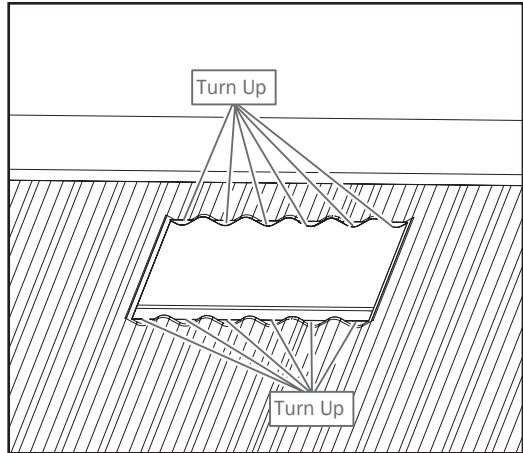
Remove the ventilator and cut a 410mm square hole around the centre of the position marks.



Installation - Metal Roof

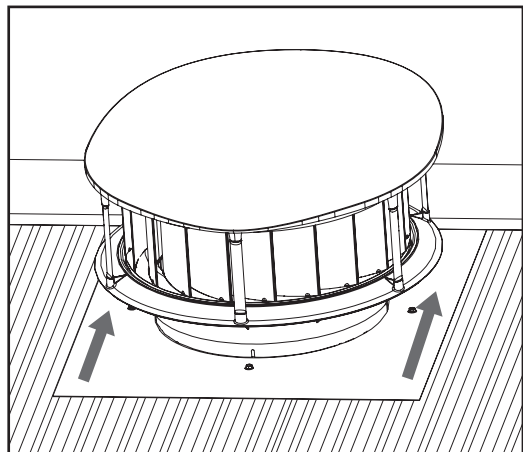
STEP 11

Turn up the corrugations or pans on both the low and high sides.



STEP 12

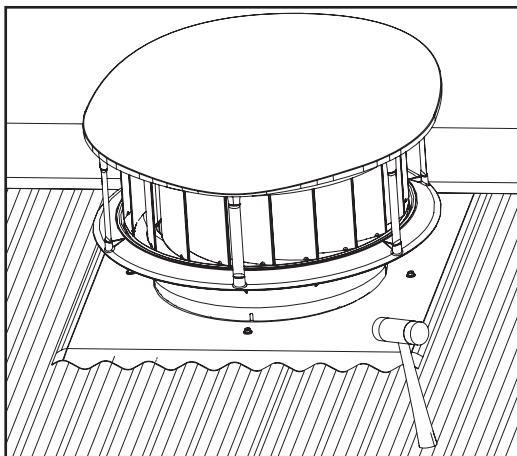
Place ventilator into position and temporarily fix with 4 Tek screws.



Installation - *Metal Roof*

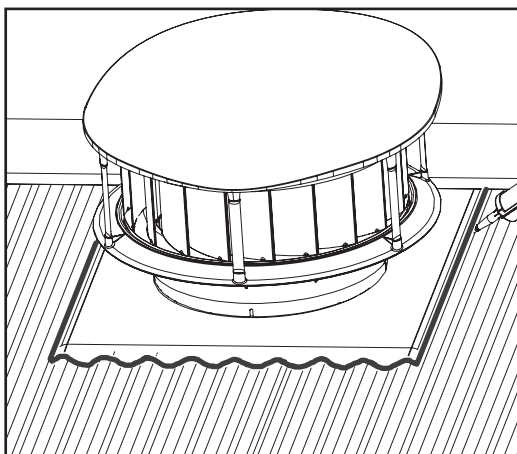
STEP 13

Using a soft rubber hammer, carefully form the flashing into the corrugations of the metal sheet profile at the lower edge and sides.



STEP 14

Remove screws and lift flashing to run a bead of silicone along the underside of the flashing along the lower and side edges shown.



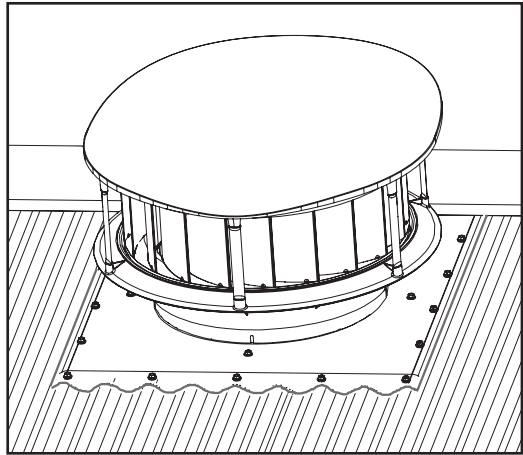
Installation - *Metal Roof*

STEP 15

Secure the flashing to roof sheeting with at least 13 Tek screws or sealed rivets along the lower and sides edges shown.

Additionally fix 4 Tek screws or sealed rivets evenly spaced around the opening.

Ensure that ridge cap is also re-secured down with suitable screws.



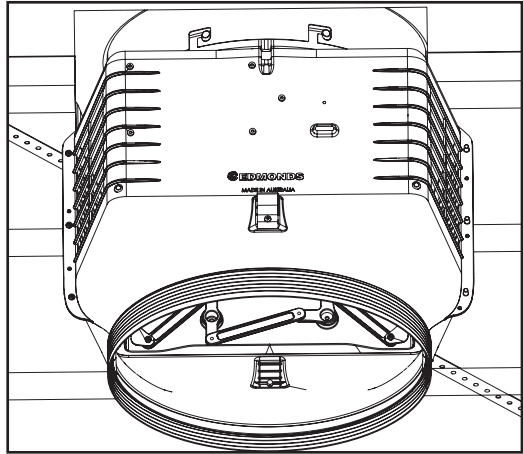
PROCEED TO STEP 16 

Valve, Ducting & Grille Installation

STEP 16

Locate the round top edge of the valve into the collar, ensuring that the 4 pins locate into the bayonet slots.

Push the valve up to the top then rotate clockwise to lock the bayonet.

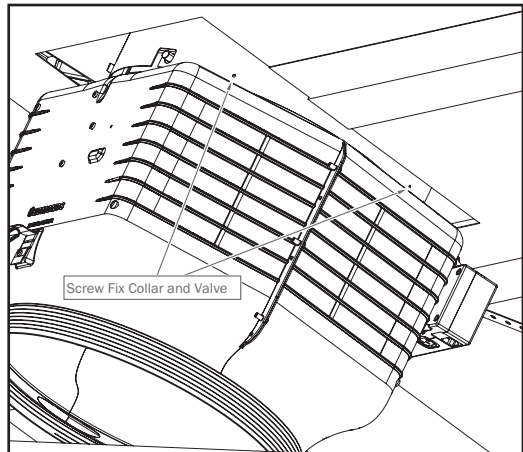


Ensure that the controller is facing towards the low end of the roof and that the cables are routed through the cable slot.

STEP 17

Secure the valve to the collar in at least two (2) places, using the screws provided.

Seal bayonet joint with duct tape to prevent air leakage.



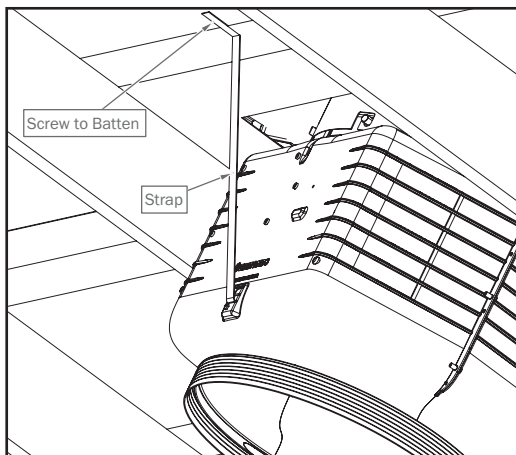
There are 4 hole locations on the collar that provide possible fixing locations, depending on accessibility.

Valve, Ducting & Grille Installation

STEP 18

Take the pre-fixed flexible strap and pull taut to suitable batten, fixing it with a screw.

If tightening is required unscrew strap at valve side, tighten strap and refix screw.

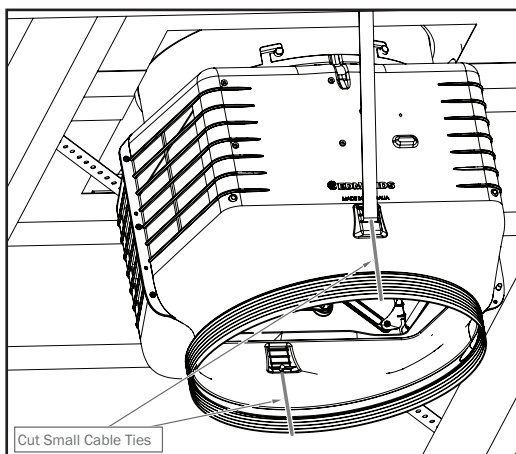


Ensure strap is securely fixed to the valve casing.

STEP 19

Cut small cable ties to release ducting.

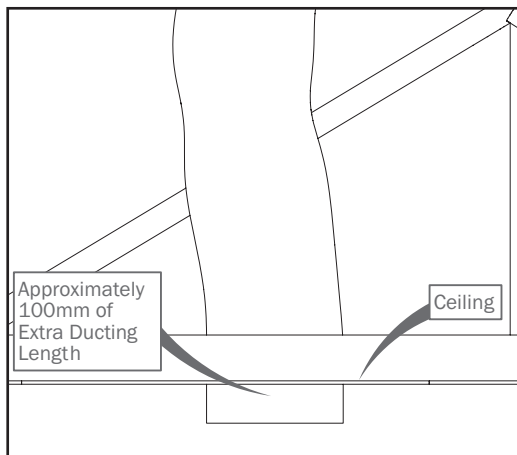
DO NOT cut large cable tie or the ducting will fall off.



Valve, Ducting & Grille Installation

STEP 20

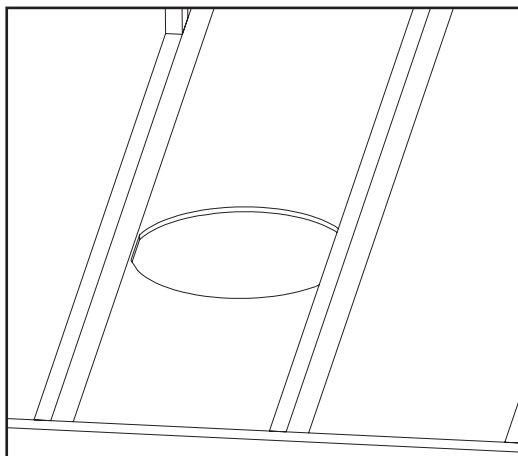
Cut the ducting to length so that approximately 100mm of ducting can hang down past the ceiling level.



STEP 21

Locate position for ceiling grille from under ceiling and using the supplied template, mark out the shape to be cut.

Using a suitable saw cut out the hole.



Ensure that the cut out clears ceiling joists and any pipes or electric cables.

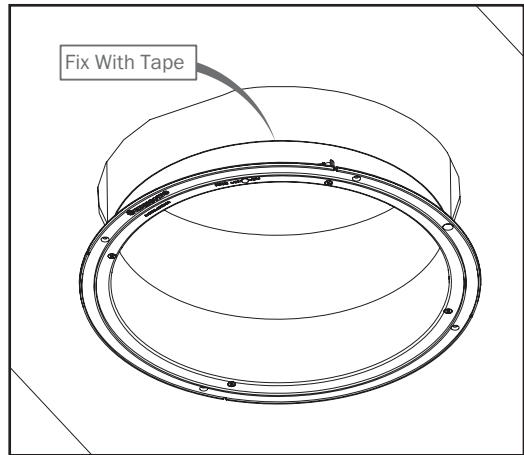
Valve, Ducting & Grille Installation

STEP 22

Drop the ducting down through the cut out so that it hangs down approximately 100mm.

Slide the collar of the ceiling grille frame half way into the ducting.

Secure the ducting to the collar using supplied duct tape.

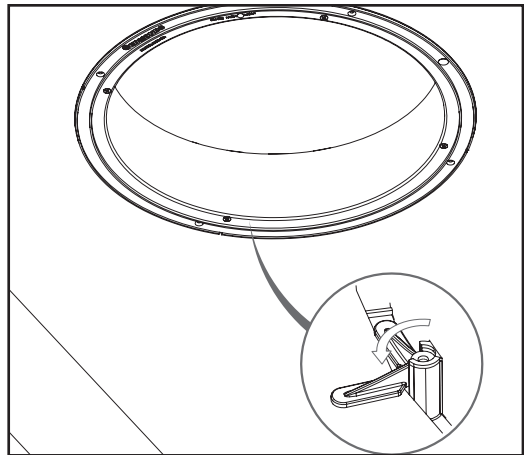


Ensure that the ceiling grille frame clip mechanisms are clear of ducting and duct tape.

STEP 23

Place the ceiling grille frame into hole cut out, ensuring that the clips are rotated so they sit alongside the collar.

Using a Phillips screwdriver rotate the clips so they rotate out over the ceiling material, and then tighten until they clamp onto the ceiling.

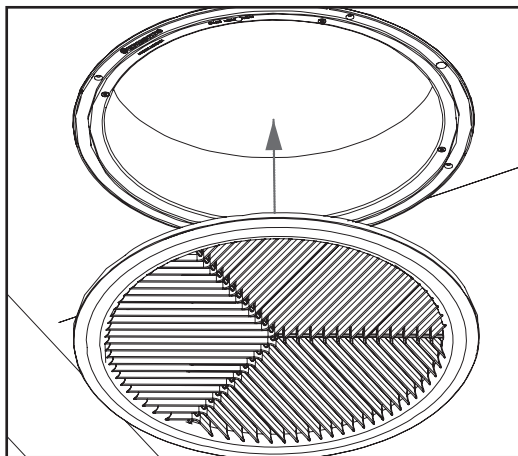


If the ceiling is too thick use the alternate fixing holes that are provided.

Valve, Ducting & Grille Installation

STEP 24

Fit the ceiling grille to the ceiling grille frame.



The ceiling grille is held in place by magnets and must be fitted so that it aligns with notches in the frame. The grille can be rotated until it fits into these notches and then the magnets should securely hold it in place.

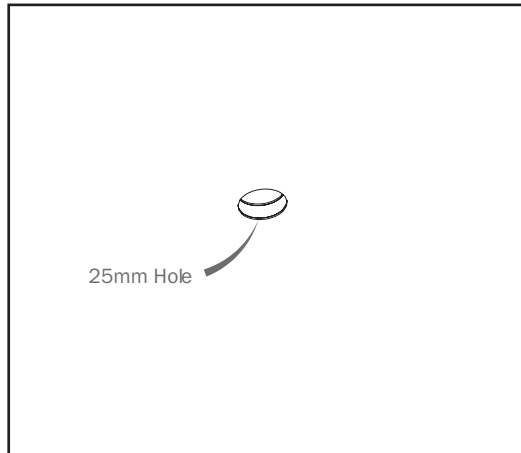
Temperature sensor and User Interface Panel Installation

Note: One temperature sensor needs to be installed on an internal ceiling and one externally under an eave. Two identical temperature sensors are supplied for this purpose.

STEP 25

Select an eave on a side of the building that does not receive direct sunlight for the position of the external temperature sensor. Its best to use a southern facing side. Avoid mounting the external sensor on a west facing wall.

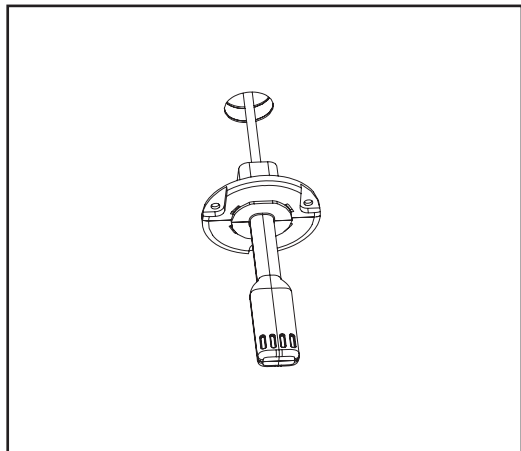
Select a location around the middle of the eave and drill a 25mm hole for the sensor.



Ensure that the position selected will allow the sensor to reach and connect to the controller with the supplied 10m long cable.

STEP 26

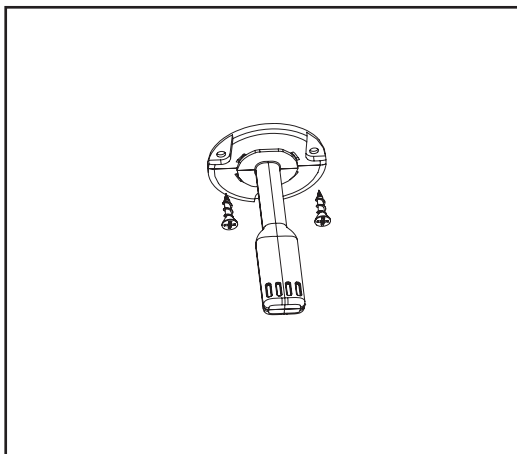
Connect cable to sensor and pass cable through hole.



Temperature sensor and User Interface Panel Installation

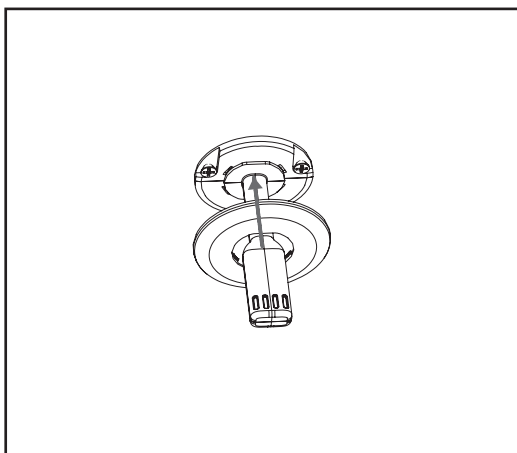
STEP 27

Using the two screws supplied, fix the sensor to the eave through two of the three holes in the sensor base plate.



STEP 28

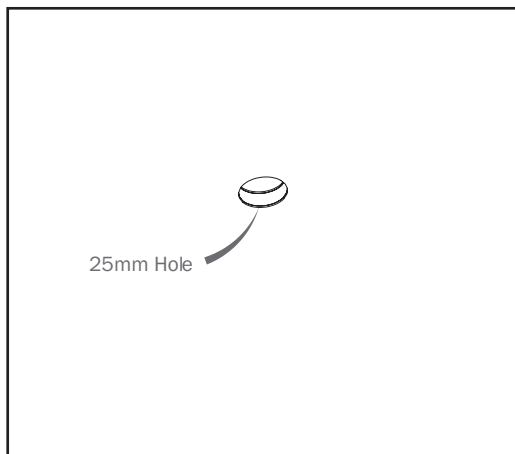
Clip the cover plate over the sensor base plate.



Temperature sensor and User Interface Panel Installation

STEP 29

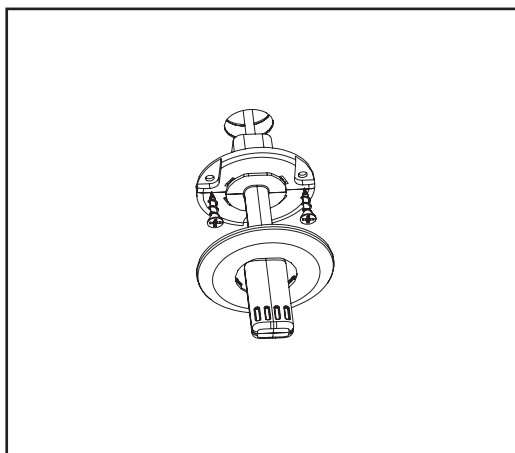
For the living space temperature sensor, select a position on an internal ceiling that is not exposed to direct sunlight and is representative of the internal house temperature.



Ensure that the position selected will allow the sensor to reach and connect to the controller with the supplied 10m long cable.

STEP 30

Repeat steps 27 to 29 for fitting the living space temperature sensor.



Temperature sensor and User Interface Panel Installation

STEP 31

Select a position on an interior wall for installing the user interface panel. The panel should be placed at a height to allow easy reading of the screen. Preferably the panel should be placed either at or below eye level.

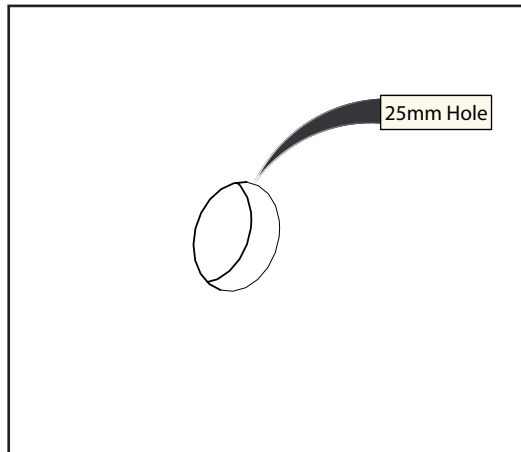


Ensure there are no cables or pipes in the way before cutting.

STEP 32

Cut a 25mm diameter hole into the wall.

The hole will be in the centre of the installed screen, so ensure that it is installed at the correct height to achieve the desired finished look.



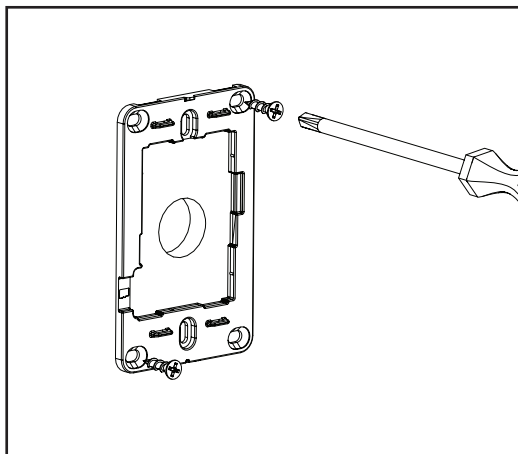
If the wall is solid masonry or similar, the panel can be mounted on an 18mm deep GPO mounting block so that no part protrudes into the wall cavity.

Temperature sensor and User Interface Panel Installation

STEP 33

Detach the wall mounting plate from the LCD Module.

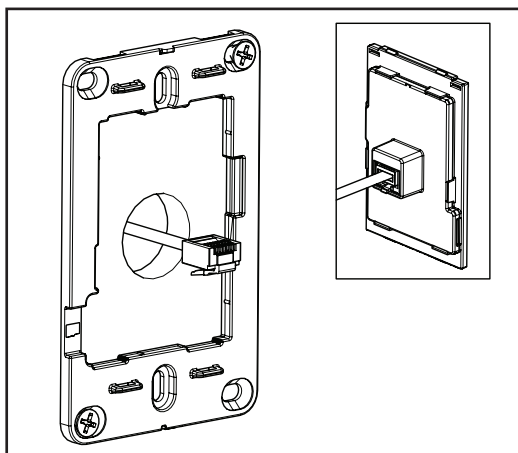
Fix it to the wall using 2 screws. Fix these diagonally opposite.



STEP 34

Take the LCD screen cable and either run it up the wall cavity to the controller, or run it down the cavity from the controller.

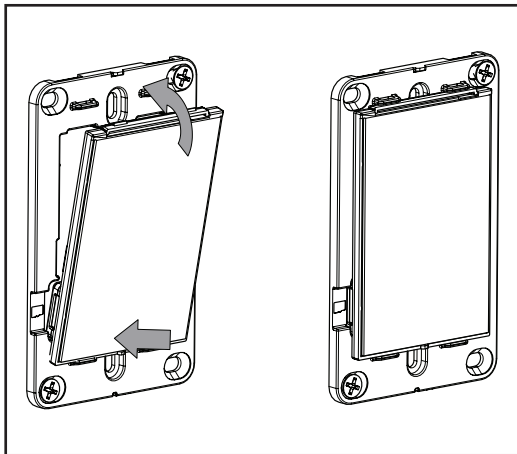
Fish the cable through the 25mm hole and plug it into the socket on the LCD module.



Temperature sensor and User Interface Panel Installation

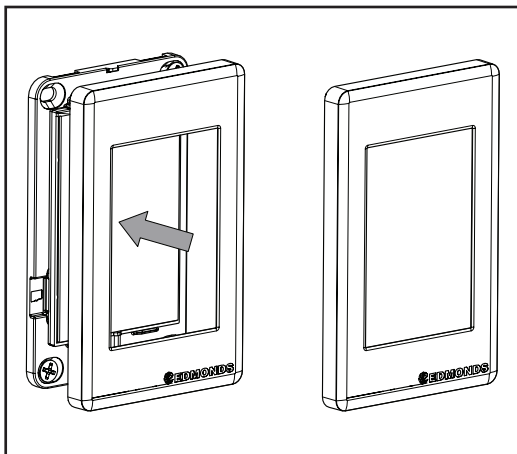
STEP 35

Clip the LCD module into the wall mounting plate.



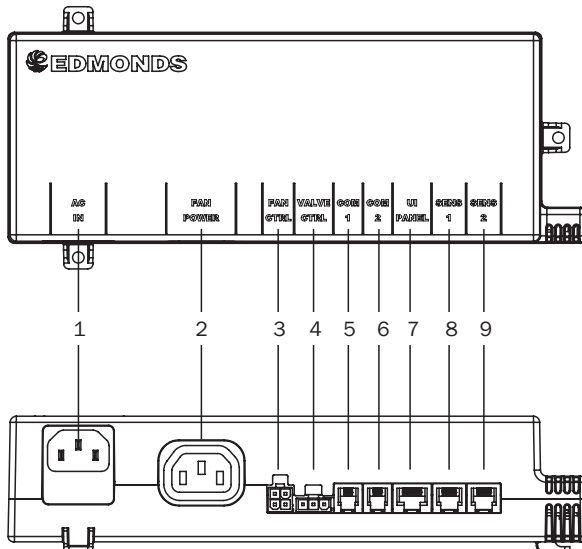
STEP 36

Carefully peel the protective film from the screen and clip the front cover panel into place.



Controller Connections Details

Connect the Ventilator, Sensor and LCD UI Cables to the controller as specified in the diagram below. The Valve Control Cable should be pre-connected from the factory. Take care to ensure that the living space and external sensors are connected to the correct sockets.



- 1 240VAC Power In
- 2 Ventilator Power Cable
- 3 Ventilator Control Cable
- 4 Valve Control Cable
- 5 Communications Cable 1
- 6 Communications Cable 2
- 7 LCD UI Panel Cable
- 8 Living Space Sensor Cable
- 9 External Sensor Cable

Technical Data

Material:

Ventilator:	Plastic (ASA & PPS-GF40)
Valve:	Plastic (ASA & PA6-GF30)
Grille:	Plastic (ASA)
UI Panel:	Plastic (ASA)
Temperature Sensor:	Plastic (ASA)
Controller:	Plastic (PC-V0)

Weight:

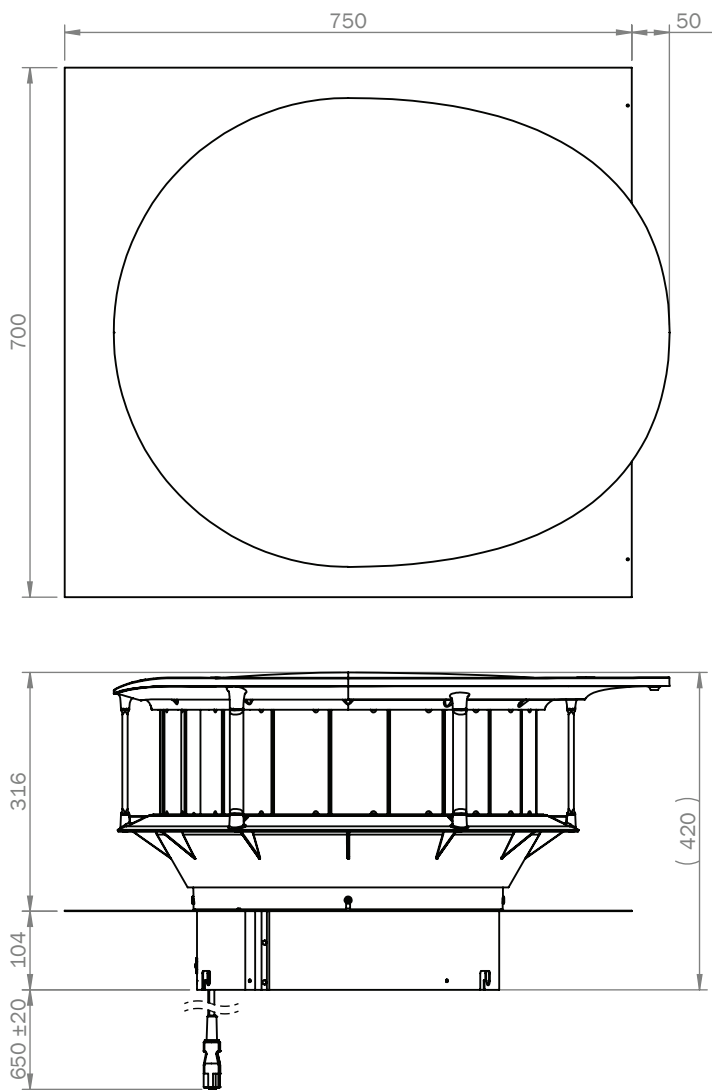
Ventilator:	9.21 kg
Valve:	2.97 kg
Grille:	1.06 kg

Electrical:

Input:	220-240VAC 50Hz Max:55W
--------	-------------------------

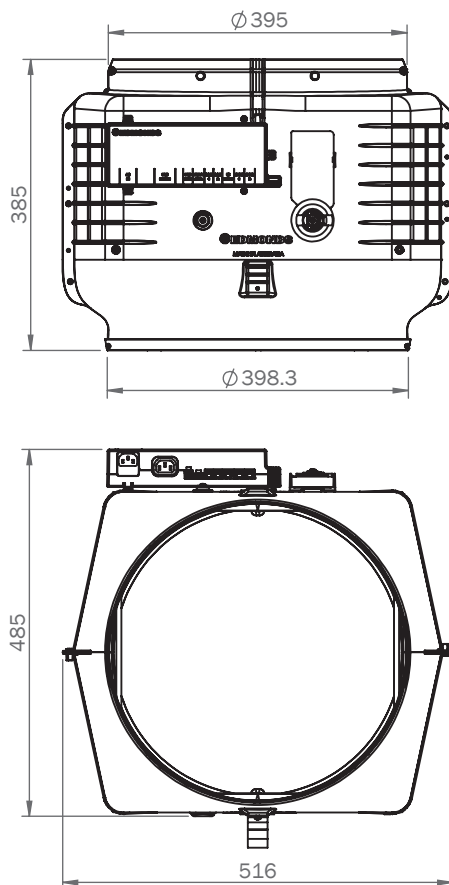
Product Dimensions

Ventilator



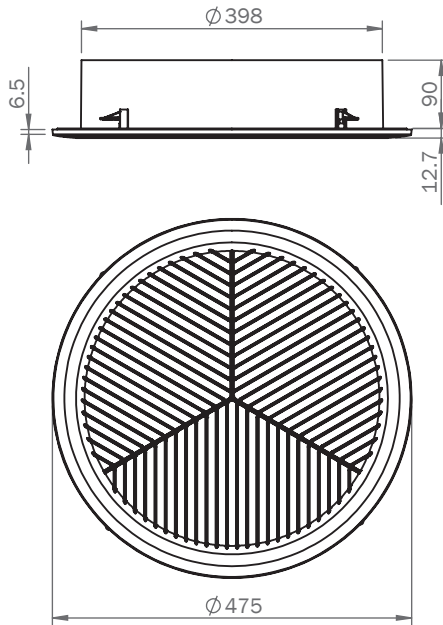
Product Dimensions

Valve & Controller



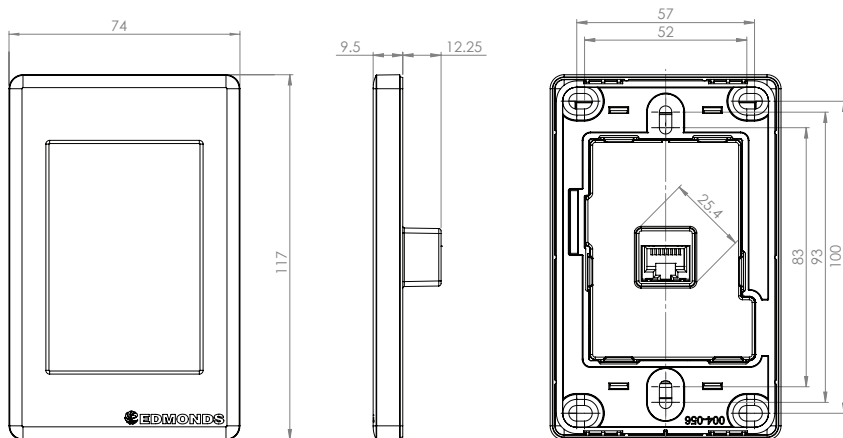
Product Dimensions

Ceiling Grille

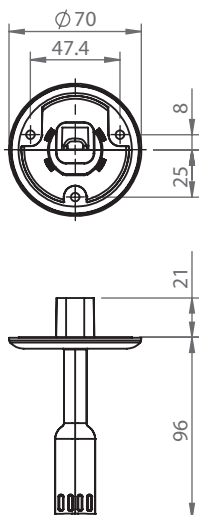


Product Dimensions

User Interface Panel



Temperature Sensor



Contact Details

General Enquiries and Support

PH: 1300 760 233
Email: sales@csr.com.au

Technical Ventilation Enquiries

PH: 1800 354 044

October 2019
I-041-B

Bradford is a business division of CSR Building Products Limited ABN 55 008 631 356
10 Stanton Road, Seven Hills NSW 2147 Australia | www.bradfordventilation.com.au

bradfordventilation.com.au

